

QM1LVC
Single Deck - Self Contained

 **KYSOR** // **WARREN**[®]



Celebrating Over 125 Years
Keeping It Cool and Green



Produce



Cheese



Deli



Enodis

QM1LVC

Single Deck - Self Contained



The environmentally friendly, energy saver model, QM1LVC, offers maximum product visibility with uniquely curved plexi glass on the front and sides. Versatile with a variety of applications - meat, produce, cheese, deli items and ready to go meals. With optional casters and 115V plug in, this self-contained merchandiser allows for easy relocation to promote special themes and impulse buying.

Standard Features

- Energy Efficient Operation
- Aluminum Fin Copper Tube Coil
- Bottom Mounted Coil
- Heavy Duty Steel Base
- Painted Interior
- PSC Energy Efficient Fan
- Curved Front Glass
- Case Controller Technology

Options and Accessories

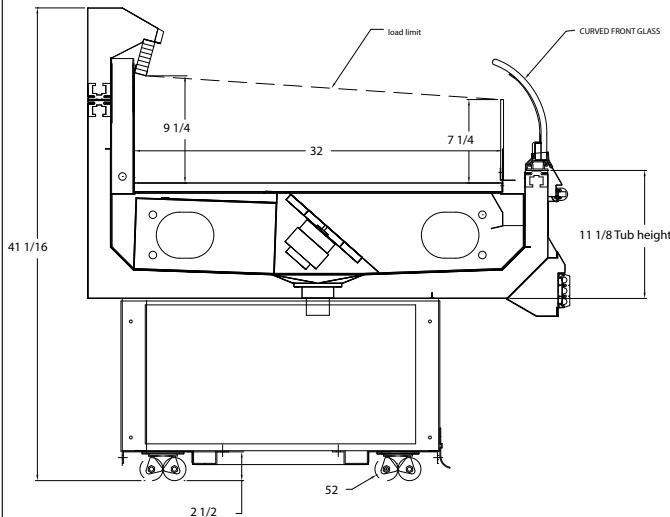
- ECM Energy Efficient Fan Motor
- Three Trim Packages Available
- Environmentally Friendly Bumpers
- Graphics Available for Case Exterior
- Winged Plexiglas End
- Straight Front Glass

Specifications

CAPACITIES	
	4'
Length	48.25"
Facing Area	10.72 ft ²
Cubic Capacity	7.37 ft ³

Note: For more technical detail and configurations see the Specification Sheet for the QM1LVC Single Deck - Self Contained Model

Type I refrigerator, intended for use in an area where the environmental conditions are controlled and maintained such that conditions do not exceed 75°F and 55% relative humidity. Kysor//Warren®, whose policy is one of continuous improvement, reserves the right to change at any time, specifications, design or prices without incurring obligation. Dual-Jet® and Air Defrost® are registered trademarks of Kysor//Warren®.



Add 3" thickness for a pair of ends



The above case model, has case lengths that are UL and NSF approved.



REV. 20080428