

P1W
Island Produce

 **KYSOR** // **WARREN**[®]



Celebrating Over 125 Years
Keeping It Cool and Green



Produce



Produce



Produce



Enodis

P1W

Island Produce



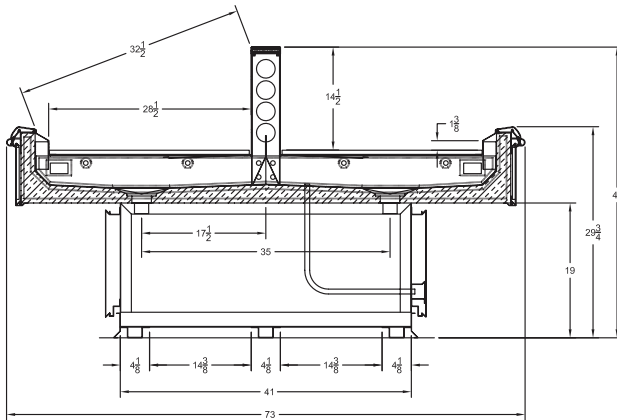
The P1W case model offers unlimited versatility for customer convenience, as well as increased impulse buying. This case is great for merchandising produce. Customized options and accessories focus your shoppers' attention on the product.

Standard Features

- Aluminum Fin Copper Tube Coil
- Bottom Mounted Coil
- Heavy Duty Steel Base
- Stainless Steel or Painted Interior (White or Black)
- Hinged Fan Plenum
- All-Steel Construction

Options and Accessories

- Case Controller Technology
- Three Trim Packages Available
- Environmentally Friendly Bumpers
- Custom Colors and Graphics for Case Exterior
- Variety of Thermometers



Add 3" thickness for a pair of ends

CAPACITIES					
	4'	6'	8'	10'	12'
Facing Area	21.8 ft ²	32.6 ft ²	43.5 ft ²	54.4 ft ²	65.2 ft ²
Cubic Capacity	11.5 ft ³	17.3 ft ³	23.0 ft ³	28.8 ft ³	34.6 ft ³

Note: For more technical detail and configurations see Specification Sheet for the P1W.

Type I refrigerator, intended for use in an area where the environmental conditions are controlled and maintained such that conditions do not exceed 75°F and 55% relative humidity. Kysor//Warren®, whose policy is one of continuous improvement, reserves the right to change at anytime, specifications, design or prices without incurring obligation. Dual-Jet® and Air Defrost® are registered trademarks of Kysor//Warren®.



The above case model, has case lengths that are UL and NSF approved.

