

e line

LD1

Specialty Merchandiser



LD1C1 - e-Line trim level

We Listen, Respond... and Deliver!

Cheeses, deli items and frozen food products can be displayed in volume with this ultra-modern spot merchandising unit. The continuous shopping design and glass allow high visibility and easy access from all sides.

KEY FEATURES:

- Foamed in Place Non CFC Insulation**
- Self-Contained or Remote**
- Aluminum Finned-Copper Tubed Coils**
- Heavy Duty Steel Construction**
- Aluminum Bottom Liner**
- Plastic Honeycomb Discharge**

KYSOR
WARREN



Applications

LD1/D1

Dual Temperature Spot Merchandiser



LD11 (2500 SERIES)

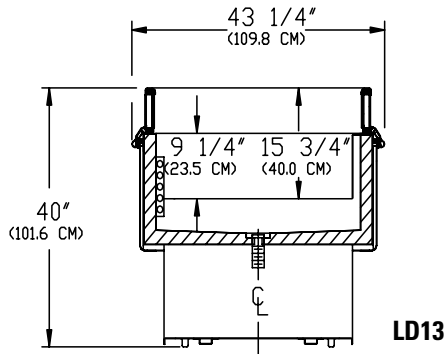
LD13 (3000 SERIES)

Capacities	D13		LD11	
	5'	10'	5'	10'
Facing Area	13.0 ft ²	26.0 ft ²	13.0 ft ²	26.0 ft ²
Cubic Capacity	11.5 ft ³	23.0 ft ³	11.5 ft ³	23.0 ft ³
Dimensions	5'	10'	5'	10'
Overall Length	68"	127.75"	68"	127.75"
Case Data	5'	10'	5'	10'
Anti-Sweat Amps	1.03	1.81	1.52	2.65
Fan Amps Std	0.34	0.68	0.34	0.68
Def. Load Amps (if electric - 230V)	N/A	N/A	7.83	15.65
Evaporator Temperature (°F)	+20	+20	-25	-25
BTU/Hr Requirements	2750	5500	3350	6700

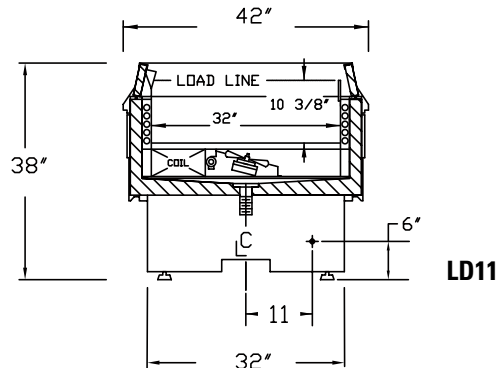
Defrost	Per Day	Fail Safe	Termination
Electric (LD1)	3	30 min.	55 °F
Off Cycle (LD1/D1)	2	30 min.	55 °F

Case Model	Discharge Air Temperature
LD1	-15 °F
D1	30 °F

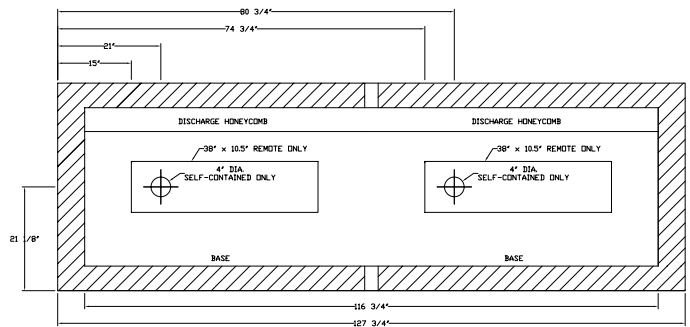
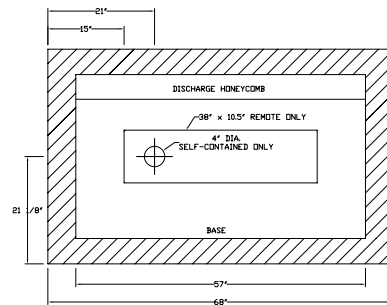
All electrical data are based on 115V.



LD13



LD11



Enodis® One Company. Countless Solutions.

KYSOR // WARREN

Type I refrigerator, intended for use in an area where the environmental conditions are controlled and maintained such that conditions do not exceed 75°F and 55% relative humidity. Kysor/Warren, whose policy is one of continuous improvement, reserves the right to change at any time, specifications, design or prices without incurring obligation.

5201 Transport Blvd. / Columbus, GA 31907
800-866-5596 - Phone / 706-568-8990 - Fax / solutions@kysorwarren.com

Dual-Jet and Air Defrost are registered trademarks of Kysor/Warren.
Kysor/Warren, a subsidiary of Enodis®, PLC. All Rights Reserved.

Kysor/Warren cases are UL and NSF listed.

