

HQDD6
Multi-Deck

 **KYSOR** // **WARREN**[®]



Celebrating Over 125 Years
Keeping It Cool and Green



Produce



Bakery



Dairy Products



HQDD6

Multi-Deck



The HQDD6 offers you a medium temperature, multi-deck case with reach in door energy savings - **60% savings** over comparable open multi-deck cases! Your multi-deck case with standard 48" length shelves - **fits your current merchandise plans!** The HQDD6 also offers you a clear **48" wide door opening** with a constant door size on both the 8' and 12' foot cases. All of this without sacrificing the versatility of a standard multi-deck case for bakery, produce, cheese, deli items, dairy, drinks and ready to go meals.

Standard Features

- **60% energy savings over comparable cases!**
- **48" Door Opening – wide viewing!**
- 18", 20", 22" and 24" shelf depths available
- ECM Energy Efficient Fan Motor
- Assorted Shelf Sizes and Styles
- Aluminum Fin Copper Tube Coil
- Bottom Mounted Coil
- Heavy Duty Steel Base
- Painted Interior (White or Black)

Options and Accessories

- PSC Energy Efficient Fan Motor
- Case Controller Technology
- Three Trim Packages Available
- Environmentally Friendly Bumpers
- Graphics Available for Case Exterior
- Off-Cycle/Hot Gas Defrost
- Rear Access Piping
- Heavy Duty Shelves (up to 350 lbs.)
- One Piece Shelving

Specifications

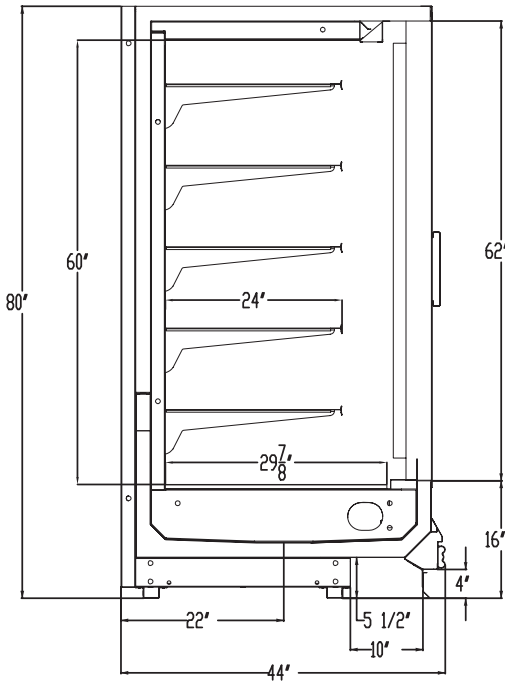
All models available in 8' and 12'

CAPACITIES		
	8'	12'
Facing Area	40.2 ft ²	60.3 ft ²
Cubic Capacity	107.4 ft ³	161.1 ft ³

Note: For more technical detail and configurations see the Specification Sheet for the HQDD6 Multi-Deck Case Model.

Type I refrigerator is intended for use in an area where the environmental conditions are controlled and maintained such that conditions do not exceed 75°F and 55% relative humidity. Kysor//Warren, whose policy is one of continuous improvement, reserves the right to change at any time, specifications, design or prices without incurring obligation. Dual-Jet® and Air Defrost® are registered trademarks of Kysor//Warren®.

022309



Add 3" thickness for a pair of ends



The above case model, has case lengths that are UL and NSF approved.

