

e line

C2VI3

Island Cheese Merchandiser



C2VI3 - e-Line trim level

We Listen, Respond... and Deliver!

This island cheese merchandiser provides a continuous shopping experience from all sides. Efficient utilization of space means additional profits from your dairy department. This is the perfect merchandiser for a wide variety of dairy and pre-packaged fresh products.

KEY FEATURES:

- Non CFC Foam Insulation**
- Hinged Fan Plenum**
- Aluminum Finned-Copper Tubed Coils**
- Aluminum Bottom Liner**
- Heavy Duty Steel Base**
- Unitized Case**


KYSOR / **WARREN**



Applications

C2VI3

Island Cheese Merchandiser



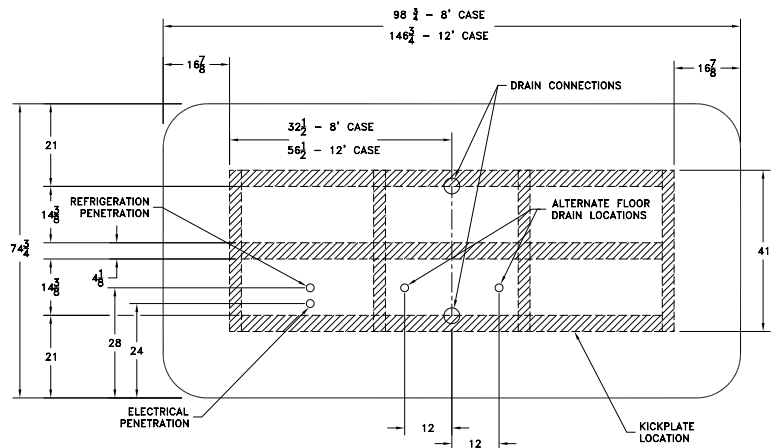
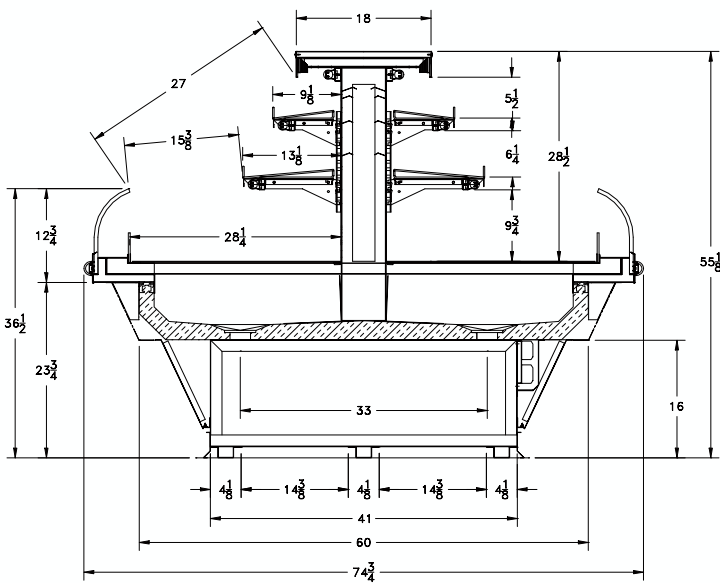
C2VI3

Capacities	8'	12'
Facing Area	35.4 ft ²	53.4 ft ²
C2VI Cubic Capacity	52.2 ft ³	81.3 ft ³
Dimensions	8'	12'
Overall Length (w/o ends)	98.75"	146.75"
Thickness - Pair Ends	3"	3"
Case Data	8'	12'
Anti-Sweat Amps	N/A	N/A
Fan Amps Std	1.06	2.12
Light Amps (Two rows canopy)	1.91	3.46
Def. Load Amps (if electric - 230V)	11.30	14.80
Evaporator Temperature (°F)	+15°	+15°
BTU/Hr Requirements (lighted shelves)	12000	18000

Defrost	Per Day	Fail Safe	Termination
Electric	6	30 min.	55 °F

Discharge Air Velocity	Discharge Air Temperature
125 FPM	31 °F

All electrical data are based on 115V and unlighted shelves.



Enodis® One Company. Countless Solutions.

KYSOR // WARREN

Type I refrigerator, intended for use in an area where the environmental conditions are controlled and maintained such that conditions do not exceed 75°F and 55% relative humidity. Kysor/Warren, whose policy is one of continuous improvement, reserves the right to change at any time, specifications, design or prices without incurring obligation.

5201 Transport Blvd. / Columbus, GA 31907
800-866-5596 - Phone / 706-568-8990 - Fax / solutions@kysorwarren.com

Dual-Jet and Air Defrost are registered trademarks of Kysor/Warren.
Kysor/Warren, a subsidiary of Enodis®, PLC. All Rights Reserved.

Kysor/Warren cases are UL and NSF listed.



C2VI3-0805PD